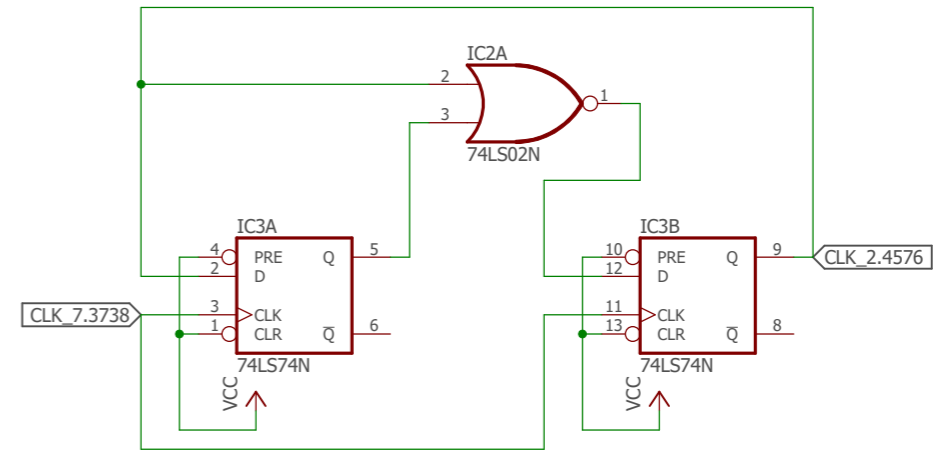
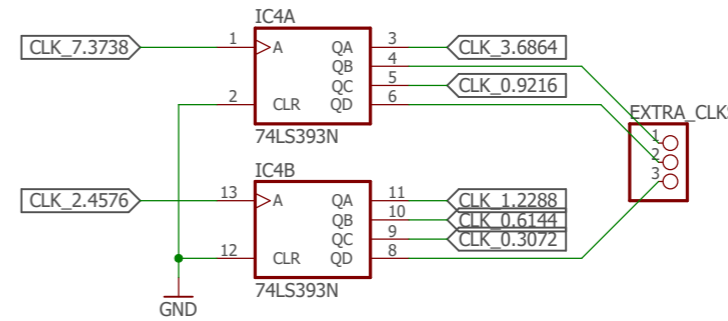


Fast Clock Generator

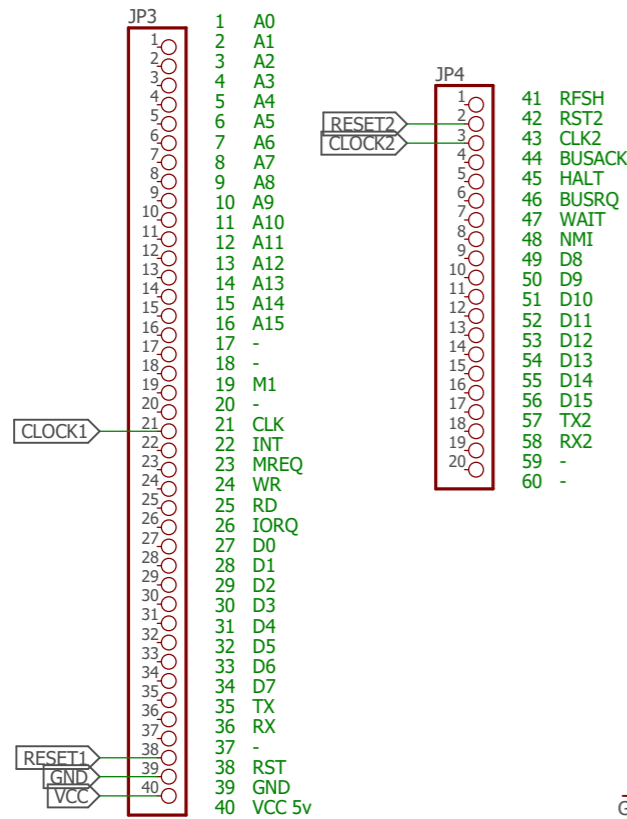


Clock Divider

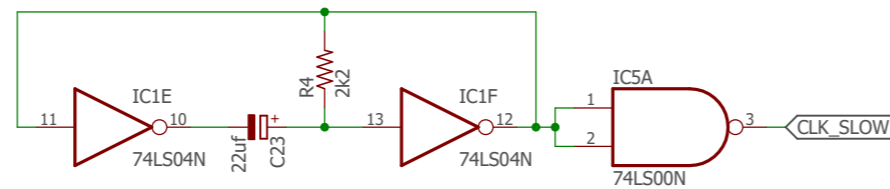


Div	Baud	Freq
1	115200	7.3728 Mhz
2	57600	3.6864 Mhz
3	38400	2.4576
6	19200	1.2288
8	14400	0.9216
12	9600	0.6144
24	4800	0.3072

pin1 1.8434Mhz = 28800bps
pin2 0.4609Mhz = 7200bps
pin3 0.1536Mhz = 2400bps



Slow Clock Generator



Manual Clock Generator

